

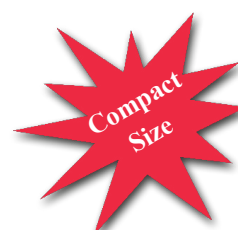
Engineered for Precision Control in High Pressure Applications

Fairchild's new HPD High Pressure Precision Regulator is specifically engineered for applications requiring a high supply pressure and a relatively low output pressure. The HPD is constructed of 316 Stainless Steel to hold up to high pressures and harsh environments. The HPD is also designed for applications involving liquids.

Contact your local Fairchild distributor or call Fairchild's Application support team at (800) 334-8422 today to discuss the HPD and our complete lineup of precise, reliable process and instrumentation control products.

NEW Model HPD High Pressure Precision Regulator

The HPD is Fairchild's new high pressure regulator that can handle up to 6000 psig supply pressure and reduce that pressure from 0 to 500 PSI. The HPD is constructed of 316 stainless steel, inconel diaphragm and this makes it ideal for gas or liquid service. With its rugged design and materials of construction the unit is corrosion resistant and can withstand the harshest environments. This high pressure unit comes in four different output ranges and two different port arrangements. Put the HPD to use in your high pressure application for reliable and worry free service.



Model HPD High Pressure Regulator

Specifications

Supply Valve Cv 0.06

Exhaust Valve Cv 0.02

Maximum Supply Pressure

6000 psig, [414 BAR], (41400 kPa)

*Consult seat material chart for maximum pressure

Supply Pressure Effect

<2 psig change for 100 psig change in supply pressure

Ambient Temperature

-40°F to +500°F, (-40°C to 260°C)

*Consult seat material chart for maximum temperature

Materials of Construction

Body and Housing.....Alloy 316L Stainless Steel

Valve.....316L Stainless Steel

Diaphragm.....Alloy X-750 Inconel

Ordering Information

Catalog Number HPD

Pressure Ranges:

0-25 psi.....

0-50 psi.....

1-100 psi.....

2-250 psi.....

5-500 psi.....

Inlet/Outlet Port Size:

1/4"

Port Thread:

NPTF

BSPT

Port Configuration

2 Port (1 Inlet, 1 Outlet)

4 Port (2 Inlets, 2 Outlets)

Body Material

316 Stainless Steel.....

Seat Material

PEEK

CTFE

Vespel

Actuator

Knob

Tamper Proof

Relief

Relieving

Non Relieving*.....

Mounting

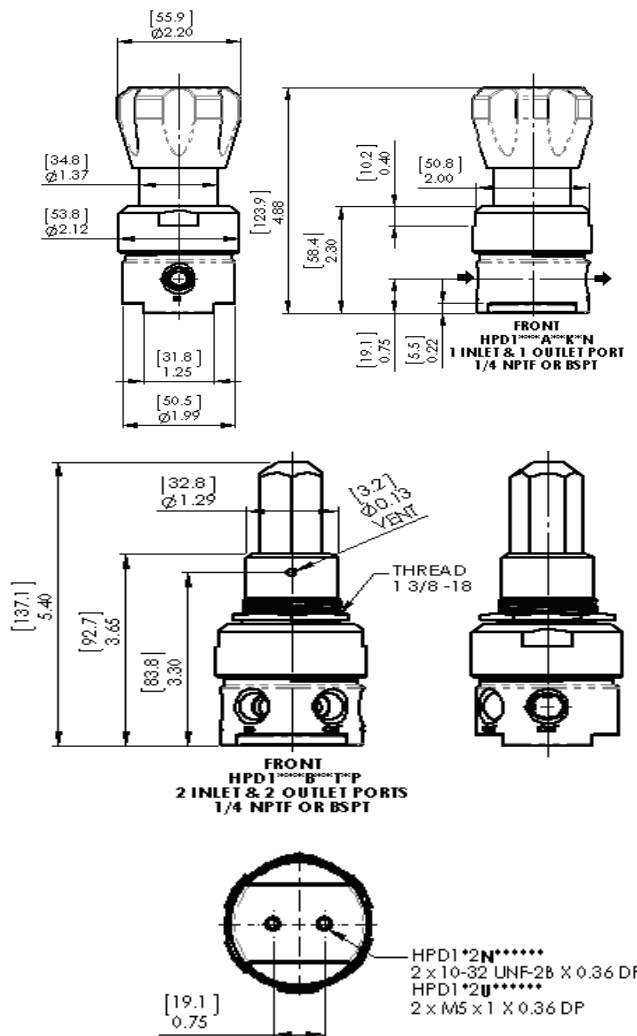
None

Panel

*Bubble Tight Shutoff in Most Conditions

SEAT MATERIAL	MAXIMUM TEMPERATURE*	@	MAXIMUM INLET PRESSURE
CTFE	175°F (80°C)	@	3500 PSIG (241 BAR)
PEEK	500°F (260°C)	@	3500 PSIG (241 BAR)
PEEK	175°F (80°C)	@	6000 PSIG (414 BAR)
VESPEL	500°F (260°C)	@	3500 PSIG (241 BAR)
VESPEL	175°F (80°C)	@	6000 PSIG (414 BAR)

*Temperatures in excess of 175°F (80°C) require a tamper-proof option



Fairchild Industrial Products Company
 3920 West Point Boulevard • Winston-Salem, NC 27103
 phone: 336-659-3400 • fax: 336-659-9323
 sales@fairchildproducts.com • www.fairchildproducts.com