

3-Way Normally Closed Pilot Valves

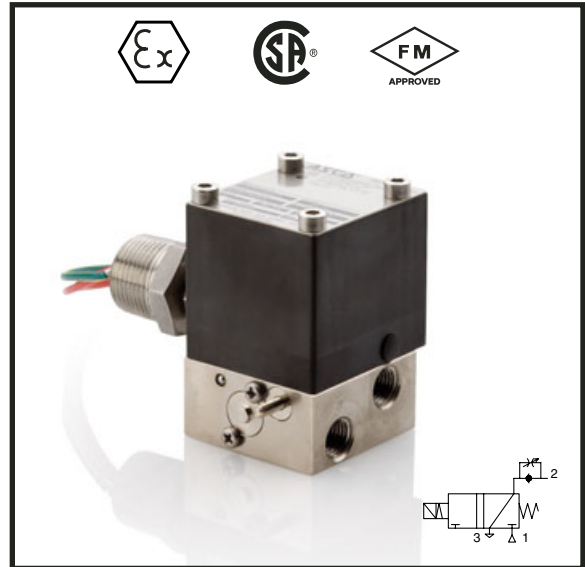
for assembly to VMS boxes



Valve Monitoring Systems

Features

- Explosionproof, Type 4 & 4X and Intrinsically Safe solenoids
- Poppet design provides durability and reliability in a wide range of ambient temperatures
- Nickel plated brass, or 316 stainless steel bodies designed for harsh process conditions
- Built-in speed controls and rebreather connection
- High efficiency, low wattage coils (2 watt AC and .5 watt DC)
- 1/4" NPT inline connection
- Cv factor of 0.9
- Easy positioning with adjustable stainless steel conduit coupler



Construction

Part	Material
Body	Nickel Plated Brass, 316 Stainless Steel
Solenoid Enclosure	Ryton™ (Polyphenylene Sulfide)
Seals and Disc	Buna "N"

Electrical

	120/60 AC	DC		IS 24VDC
		12V ①	24V ①	
Nominal Watt Rating	2.0w	.5w	.5w	.5w
Operating Current	25.3mA	30mA	15mA	29mA

① 12V compatible with DeviceNet, 24V compatible with AS-i
See next page for IS Entity Parameters.



Ambient Temperatures

-20°C to 70°C (-4°F to 158°F)

Solenoid Enclosures

Enclosure Option Code

- EE Div. 1 with 3/4" MNPT connector
- B0 Type 4 & 4x with 20mm x 1.5 connector
- AS Intrinsically Safe with 3/4" MNPT connector
- BS Intrinsically Safe with 20mm x 1.5 connector

Voltage Codes

- AG - 120/60 AJ - 230/60
- D2 - 24/DC D1 - 12/DC

For applications requiring a Cv greater than 0.9 consult ASCO.

Ratings and Approvals

- B0** - Type 4 & 4X - (Indoor and outdoor locations)
- EE** - Class I, Div. 1, Groups A,B,C, & D Class II, Div. 1, Groups E,F, & G Non-incendive Class I, Div. 2, Groups A,B,C, & D Class II, Div. 2, Groups F & G Hazardous locations Class I, Zone 1 AEx d m IIC T6 @ 70°C
- AS, BS** - Intrinsically Safe Class I, II, III, Div. 1, Groups A-G, Class I, Zone 0, AEx ia IIC T6 @ 70°C ATEX category 1G, Operator Only
II 1G EEx i a IIC T6
KEMA 03ATEX 1173X
Ambient Temperature: -40 to 140°F (-40 to 60°C)

Optional Features

Specify suffix codes for manual operators

- MI - Momentary (push in & hold)
- MS - Sustained (push in & turn)



Valve Monitoring Systems

Entity Parameters for Intrinsically Safe options AS & BS

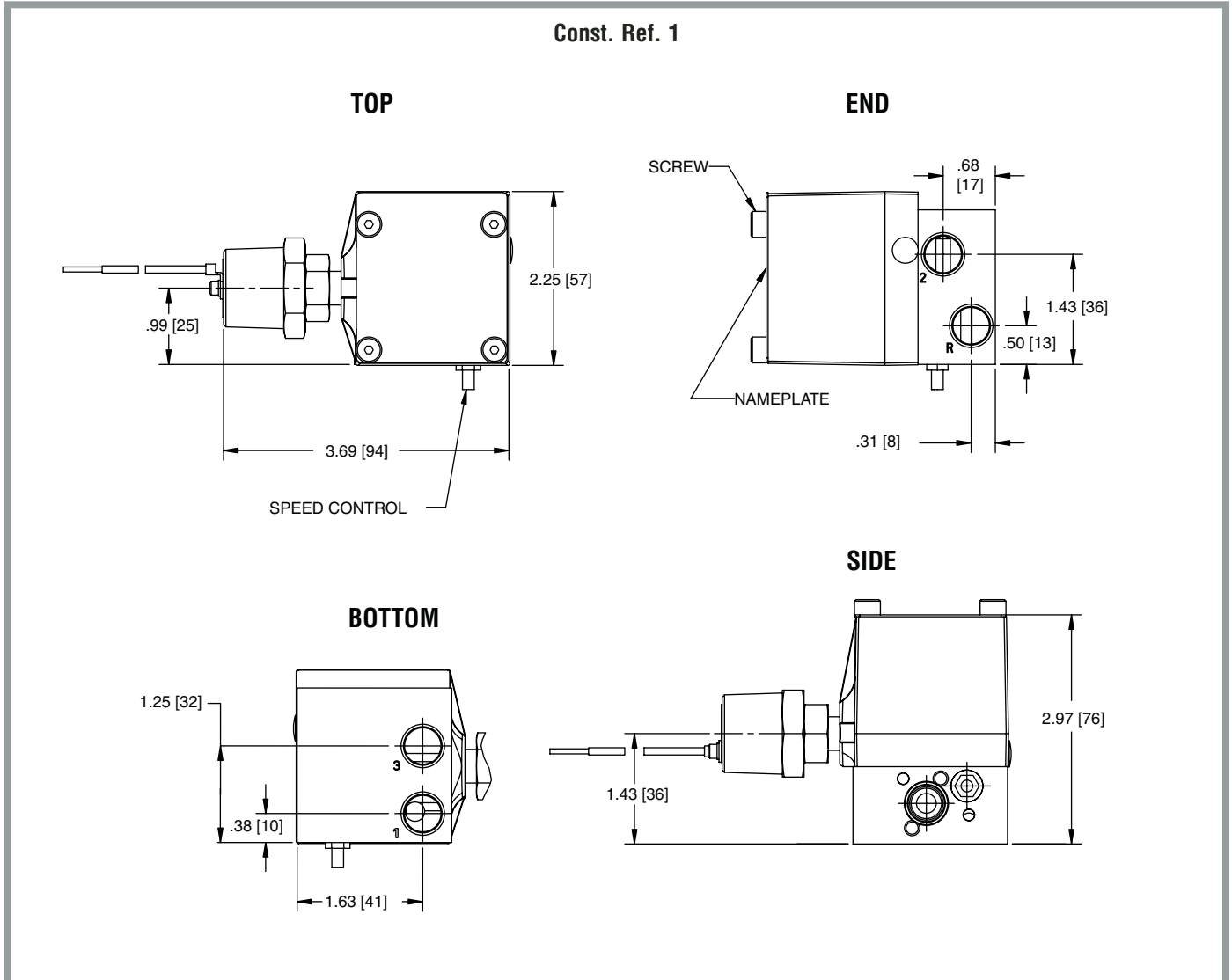
Groups A-G	V max	I max	P max	Capacitance	Inductance
Parameters	30 VDC	100 mA	0.75 w	0 nf	2.2 mH

Specifications

Pipe size (ins.)	Orifice Dia. (ins.)	Cv Flow	Operating Pressure Differential (psi)		Media	Max. Fluid Temp. °F	Nickel Plated Brass	316 Stainless Steel	Const. Ref.
			Min.	Max. AC/DC					
				Air-Inert Gas					
1/4	1/4	0.9	35	125	AIR	180	8355A002	8355A082	1

Ordering Example: 8355A082 Enclosure **EE** Voltage **AG** Options **MI**

Dimensions Inches (mm)



4-Way Pilot Valves

for assembly to VMS boxes

Features

- Explosionproof, Type 4 & 4X and Intrinsically Safe solenoids
- Poppet design provides durability and reliability in a wide range of ambient temperatures
- Nickel plated brass, or 316 stainless steel bodies designed for harsh process conditions
- Built-in speed controls
- High efficiency, low wattage coils (2 watt AC and .5 watt DC)
- 1/4" NPT inline connection
- Cv factor of 0.9
- Easy positioning with adjustable stainless steel conduit coupler

Construction

Part	Material
Body	Nickel plated brass, 316 Stainless Steel
Solenoid Enclosure	Ryton (Polyphenylene Sulfide)
Seals and Disc	Buna "N"

Electrical

	120/60 AC	DC		IS 24VDC
		12V ①	24V ①	
Nominal Watt Rating	2.0w	.5w	.5w	.5w
Operating Current	25.3mA	30mA	15mA	29mA

① 12V compatible with DeviceNet, 24V compatible with AS-i
See next page for IS Entity Parameters.

Ambient Temperatures

-20°C to 70°C (-4°F to 158°F)

Solenoid Enclosures

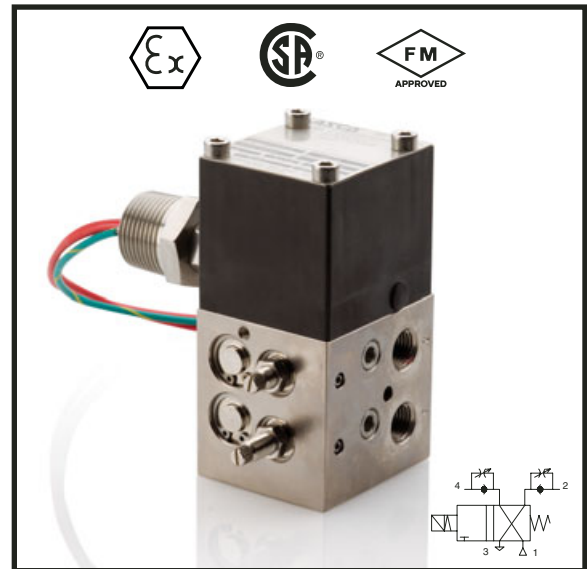
Enclosure Option Code

- EE Div. 1 with 3/4" MNPT connector
- B0 Type 4 & 4x with 20mm x 1.5 connector
- AS Intrinsically Safe with 3/4" MNPT connector
- BS Intrinsically Safe with 20mm x 1.5 connector

Voltage Codes

- AG - 120/60 AJ - 230/60
- D2 - 24/DC D1 - 12/DC

For applications requiring a CV greater than 0.9 consult ASCO.



Ratings and Approvals

B0 - Type 4 & 4X - (Indoor and outdoor locations)

EE - Class I, Div. 1, Groups A,B,C, & D

Class II, Div. 1, Groups E,F, & G

Non-incendive Class I, Div. 2, Groups A,B,C, & D

Class II, Div. 2, Groups F & G

Hazardous locations Class I, Zone 1

AEx d m IIC T6 @ 70°C

AS, BS - Intrinsically Safe Class I, II, III, Div. 1,

Groups A-G, Class I, Zone 0, AEx ia IIC T6 @ 70°C

ATEX category 1G, Operator Only

II 1G EEx i a IIC T6

KEMA 03ATEX 1173X

Ambient Temperature: -40 to 140°F (-40 to 60°C)

Optional Features

Specify suffix codes for manual operators

- MI - Momentary (push in & hold)
- MS - Sustained (push in & turn)

Entity Parameters for Intrinsically Safe options AS & BS

Groups A-G Parameters	V max	I max	P max	Capacitance	Inductance
	30 VDC	100 mA	0.75 w	0 nF	2.2 mH

Specifications

Pipe size (ins.)	Orifice Dia. (ins.)	Cv Flow	Operating Pressure Differential (psi)		Media	Max. Fluid Temp. °F	Nickel Plated Brass	316 Stainless Steel	Const. Ref.
			Min.	Max. AC/DC					
				Air-Inert Gas					
1/4	1/4	0.9	35	125	AIR	180	8455A002	8455A082	1

Ordering Example: 8455A082 Enclosure EE Voltage D2 Options MI

Dimensions Inches (mm)

